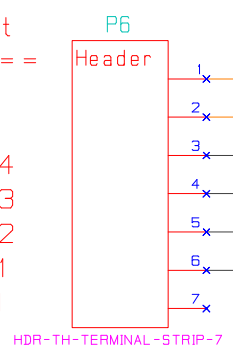
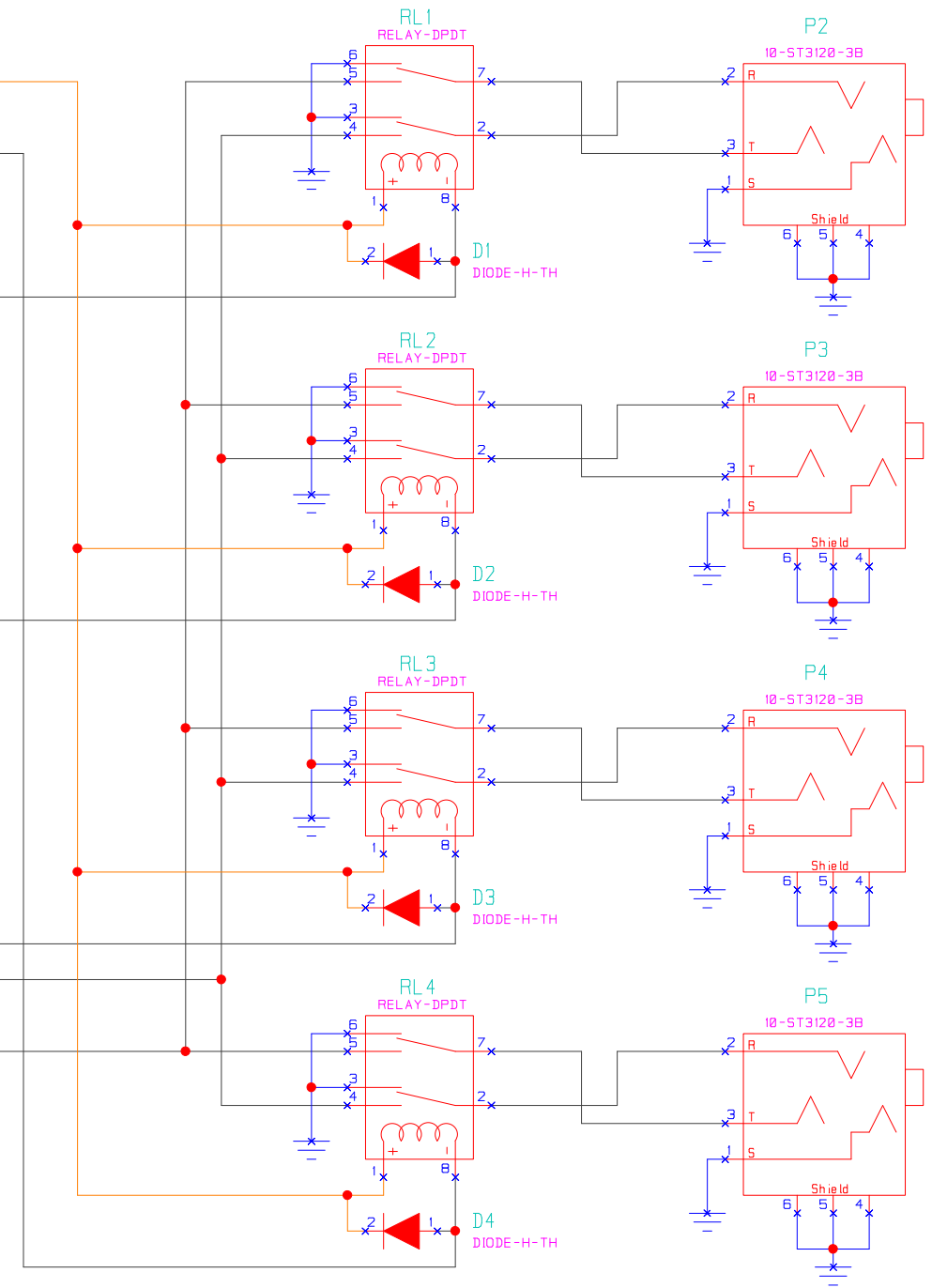
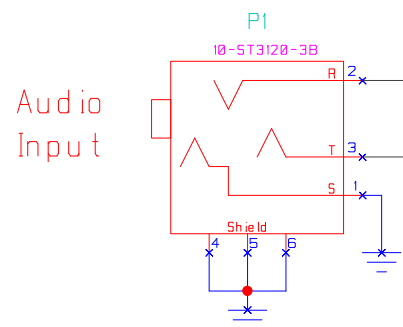
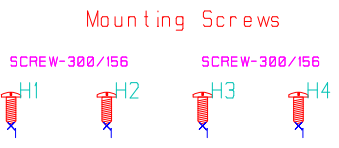


4 Control Inputs

Control Input
 =====
 Pin-1 Power
 Pin-2 Clamp
 Pin-3 Input-4
 Pin-4 Input-3
 Pin-5 Input-2
 Pin-6 Input-1
 Pin-7 Ground



POWER



Speaker Output One

Speaker Output Two

Speaker Output Three

Speaker Output Four